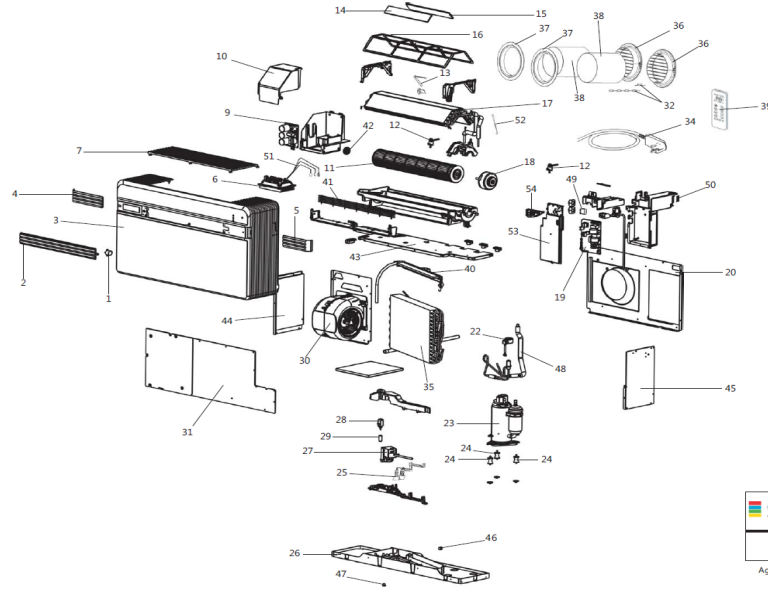


595221A DISTRIBUTOR GROUP  
 575986A PUMP SENSOR CABLE  
 282525A TIRO P.VC 60SH-NERO D.1.12 D.E.16  
 277918A KLUXON  
 277879A COIL  
 276988A FOUR VALVE  
 242528A COMPRESSOR WASHER NUT  
 242201A CHAIN 2MT D.L.5  
 242200A EXTERNAL GRILL SPRING  
 214691A PROTECTION GRID  
 277816A STEP MOTOR  
 282642A FLAP  
 595366A AESTHETIC GROUP  
 282730A LEFT MASK  
 282733A RIGHT MASK  
 60773A Ign board and ign heatsink  
 282732A UPPER PANEL  
 277900A IPM BOARD  
 282786A ODU BOARD COVER  
 282740A TANGENTIAL FAN  
 214693A WALL BRACKET  
 255435A ODU TEMPERATURE SENSORS  
 K070011500A ACTIVATED CARBONS FILTER  
 K070011600A AIR PURIFY FILTER  
 282739A FILTER  
 595299A EVAPORATOR HEAT EXCHANGER GROUP  
 277914A EVAPORATOR MOTOR  
 277901A MAIN INVERTER BOARD HP ASK89  
 595230A REAR PANEL GROUP  
 595357A FOUR WAY VAL ASSY  
 277831A EXPANSION VALVE  
 277917A COMPRESSOR  
 281502A VIBRATION DUMPING FOR COMPRESSOR  
 595177A PUMP SENSOR CABLE  
 282712A DRAY PAN BASIS  
 277819A PUMP  
 277865A THERMAL ACTUATOR  
 282715A OBTURATOR  
 595307A CONDENSER FAN GROUP  
 595354A FRONT COVER GROUP  
 599922A SPRING-CHAIN ASSEMBLY  
 595257A FOUR WAY COIL ASSY  
 K34001400A LCD POWER CABLE (TOWER 30380)  
 595264A CONDENSER HEAT EXCHANGER ASSY  
 594825A GRID GROUP ASSY  
 282465A WALL INTERNAL FLANGE  
 242440A FOGGIO RIVESTIMENTO 500X680X0.8  
 592585A REMOTE CONTROLLER  
 595221B DISTRIBUTOR GROUP  
 214691B PROTECTION GRID  
 279392A TEFLON BEARING  
 279391A FAN ELASTIC MOUNT  
 595234A CONDENSING COVER GROUP  
 595233A left panel group  
 595355A right panel group  
 K30000500A DRAINING DISCHARGE CAP  
 242473A DRAINING CLIP  
 595358A FOUR WAY VAL ASSY  
 277885A RELAS FINDER 120VAC/16A 250V  
 276986A bidler switch  
 255436A ROOM TEMPERATURE SENSOR  
 255437A IDU HEAT EXCHANG. TEMPERATURE  
 282789A IDU BOARD FRONT COVER 115v  
 277890A DISPLAY ELECTRONIC BOARD  
 Code Description

0001  
 0002  
 0003  
 0004  
 0005  
 0006  
 0007  
 0009  
 0010  
 0011  
 0012  
 0013  
 0014  
 0015  
 0016  
 0017  
 0018  
 0019  
 0020  
 0021  
 0022  
 0023  
 0024  
 0025  
 0026  
 0027  
 0028  
 0029  
 0030  
 0031  
 0032  
 0033  
 0034  
 0035  
 0036  
 0037  
 0038  
 0039  
 0040  
 0041  
 0042  
 0043  
 0044  
 0045  
 0046  
 0047  
 0048  
 0049  
 0050  
 0051  
 0052  
 0053  
 0054  
 Pos.



**Model # 01925**

 Via Industriale 1/3  
 Cellatica (BS.)

**MAESTRO PRO**

Agg. Ottobre 2019 - RIF. 298.00