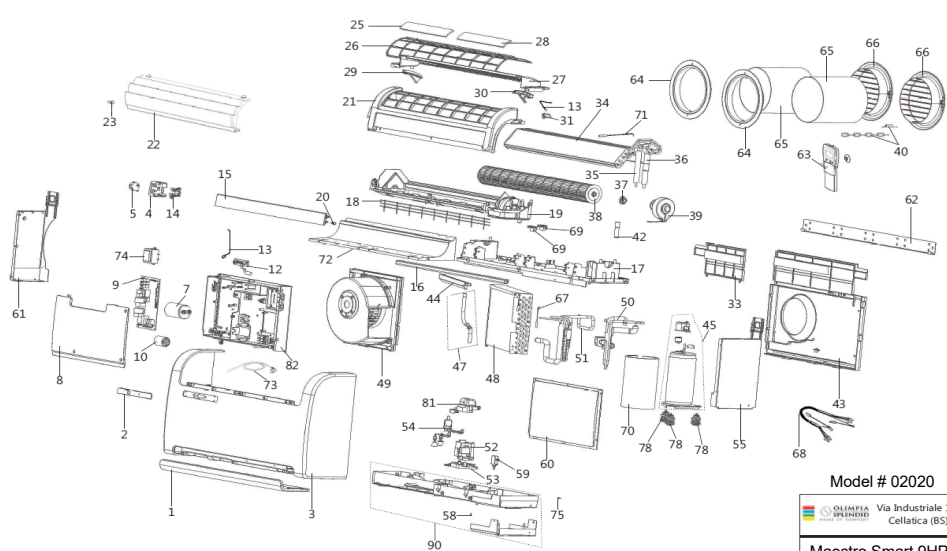


595257A	FOUR WAY COIL ASSY	
595189A	FRONT PANEL SILK PRINTED	
594794B	BASEMENT ASSY	
575983A	PUMP SENSOR CABLE	
282096A	BODY	
282335A	TUBE P/C CSSH NERO D.112 D.E.18	
282428A	CONNECTION FILTER	
277855A	RELAYS FINDER 120VAC/16A 250V	
277879A	COIL	
277871A	FAN MOTOR	
277538A	COMPRESSOR WASHER NUT	
277537A	GOLDSTAR COMPRESSOR COVER GASKET	
277539A	COMPRESSOR WASHER	
277534A	COMPRESSOR COVER	
277535A	KLIXON	
278988A	FOUR VALVE	
278986A	bipolar switch	
278987A	resined temperature sensor	
278617A	NT EXCHANGER SENSOR HL	
275167A	condenser fan lower gasket	
275166A	condenser fan lower gasket	
242201A	CHAN 2MT D.1.5	
242202A	EXTERNAL GRILL SPRING	
214668A	HEATING ELEMENT SAFETY PROTECTION	
214665A	HEATING ELEMENT SAFETY PROTECTION	
213268B	COMPRESSOR BASIS	
145211A2	SPRING WASHERS FOR UNSPLINED SHAFTS	
282457A	LOWER COVER	0001
595212A	LEVER COVER	0004
282446A	LEVER COVER	0005
278686A	STEP MOTOR	0007
277877A	CAPACITOR 50MF	0009
282433A	ELECTRONIC COVER	0009
277868A	ELECTRONIC BOARD	0010
277881A	CAPACITOR 3.5MF	0010
277875A	ELECTRONIC DISPLAY	0012
255942A	ROOM TEMP SENSOR	0013
G0591A	LEVER ASSEMBLY	0014
282434A	FLAP	0015
282440A	UPPER SCREW COVER	0016
G0894A	REAR PART GROUP	0017
282451C	DRAN PAN	0017
277931A	FAN ELASTIC MOUNT	0018
213269A	PROTECTION GRID	0018
213258A	PROTECTION GRID NARROW PITCH	0018
282453C	DRAN PAN MOUNT	0019
282453A	DRAN PAN MOUNT	0019
279392A	TEFLON BEARING	0019
281871A2Z	IMBLE PIN	0020
282438A	FRONT COVER	0021
282470A	SUCTION GRID	0022
282471A	SUCTION GRID PIN	0023
K07001500A	ACTIVED CARBONS FILTER	0025
594888A	FILTER ASSEMBLY	0026
282456A	UPPER GRID	0027
K07001500A	AIR PURIFY FILTER	0028
282454A	SX FILTER SADDLE	0029
282455A	DX FILTER SADDLE	0030
K07003000A	PROBE SUPPORT	0031
594789A	REAR PANEL ASSY	0033
G0560A	EVAPORATOR HEAT EXCHANGER GROUP	0035
L02006800A	FAN BEARING GROUP	0037
282452A	TANGENTIAL FAN	0038
277880A	INDOOR AC MOTOR	0039
278857A	INDOOR FAN MOTOR	0039
599222A	SPRING-CHAN ASSEMBLY	0040
594943A	TUBE ASSY	0042
595188A	REAR PANEL ASSY	0043
594785A	DISTRIBUTOR GROUP	0044
277878A	L/C COMPRESSOR	0045
594886A	SPRING-TUBE ASSY	0047
595040A	CONDENSER HEAT EXCHANGER GROUP	0048
595190A	FAN MOTOR 115V/50/60HZ ASSY	0049
595262B	FOUR WAY VAL ASSY	0050
594787B	CAPILLARY ASSY	0051
277870A	PUMP	0052
282467A	PUMP MOUNT	0053
575984A	PUMP SENSOR CABLE	0054
594777A	RIGHT PANEL ASSY	0055
242473A	DRANNING CUP	0058
242473A	DRANNING CUP	0058
G0562A	DRAN ACTUATOR-OBTURATOR ASSY	0059
594778B	FRONT PANEL ASSY	0060
594778C	LEFT PANEL ASSY	0061
213264A	WALL PLATE	0062
277823A	REMOTE CONTROL	0063
278252882	REMOTE CONTROL	0063
282465A	WALL INTERNAL FLANGE	0064
242448A	FOGLIO RIVESTIMENTO 500X880X0.8	0066
594825A	GRID GROUP ASSY	0066
278878A	external temperature probe	0067
255426A	COMPRESSOR CABLE	0068
K090002700A	COMPRESSOR SOUNDPROOFING	0070
278879A	IDU HEAT-HEATEXCHANGER TEMP SENSOR	0071
G0973A	EVAPORATOR FAN SCROLL	0072
K16001040A	LED POWER CABLE (TOWER 30390)	0073
K19000500A	DRANNING DISCHARGE CAP	0075
281996C	CHECK VALVE	0077
281996C	CHECK VALVE	0077
282469A	SENSOR PUMP COVER	0081
594817A	ELECTRICAL BOX INSULATOR ASSY	0082
595211A	BASEMENT ASSY	0090



Model # 02020


 Via Industriale 1-3
 Cellatica (BS)

Maestro Smart 9HP

Agg. Luglio 2018 - RIF. 335.00

Code Description Pos